

Macro 16S NG

Plastic Agricultural Bin

SPECIFICATIONS	
Item #	16S NG
Exterior Dimensions	47.125" x 47.125" x 21.50"
Interior Dimensions	43.75" x 43.75" x 15.60"
Load Capacity (ft³)	16 ft³
Load Capacity (gallons)	120 gallons
Load Capacity (liters)	454 liters
Load Capacity (lbs)	1,200 lbs
Weight	66 lbs
Truckload Quantity (FTL ⁽¹⁾)	130

Dimensions assume tolerance of 1/4". Volume capacities assume tolerance of 5% and tare weights assume a tolerance of 4% unless noted otherwise. Ambient temperature approximately equal to 75°F.

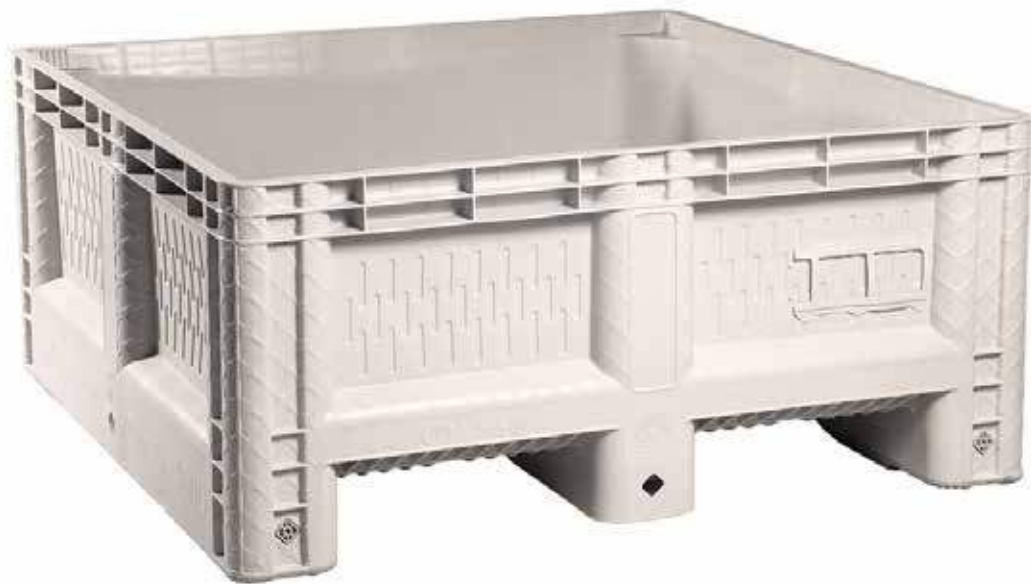
⁽¹⁾ FTL = Full Truckload - based on 53' standard trailer.

The Macro 16 Solid bins are made with nonporous, injection-molded plastic which reduces the risk of product damage from pests, bacteria, or pathogens. The smooth, durable surfaces are easy to clean and can stand up to heavy day-to-day use, season after season.

Rounded corners and smooth surfaces mean fewer scuffs, abrasions, and cuts on your tender fruits. Risk of contamination is reduced because there are fewer places for unwanted particles to hide.

FDA-approved materials are certified safe for use with food products, eliminating many HACCP problems associated with wood bins

Lightweight construction reduces shipping costs and makes MacroBins easier to move; the direct load corner posts and interlocking foot design make them safer to stack — up to 9 high.



Phone: (800) 827-2474

Website: www.tranpak.com

